

Water Heater Wraps

The following is an excerpt taken from the SOLAR AGE magazine.

Domestic water heating can account for 25 percent of an average home's total energy bill. To learn how much homeowners can save, the Bonneville Power Administration (BPA) did a four-year study of energy conservation from two sides: cutting how water use and reducing heat loss from tanks and pipes. Here's what the study found.

Insulate that tank

BPA tested an energy-efficient water heater insulated to R-20 side by side with an R-12 conventional water heater, both from the same manufacturer. The energy-efficient water heater saved \$42.63 a year over the standard tank.

But wrapping the standard tank with R-11 insulation saved \$44.45. If an existing tank is in good condition, don't buy a new tank. Insulate the old one. If the homeowner already has an energy-efficient tank, wrapping it with another R-11 will save an extra \$14.88/year.

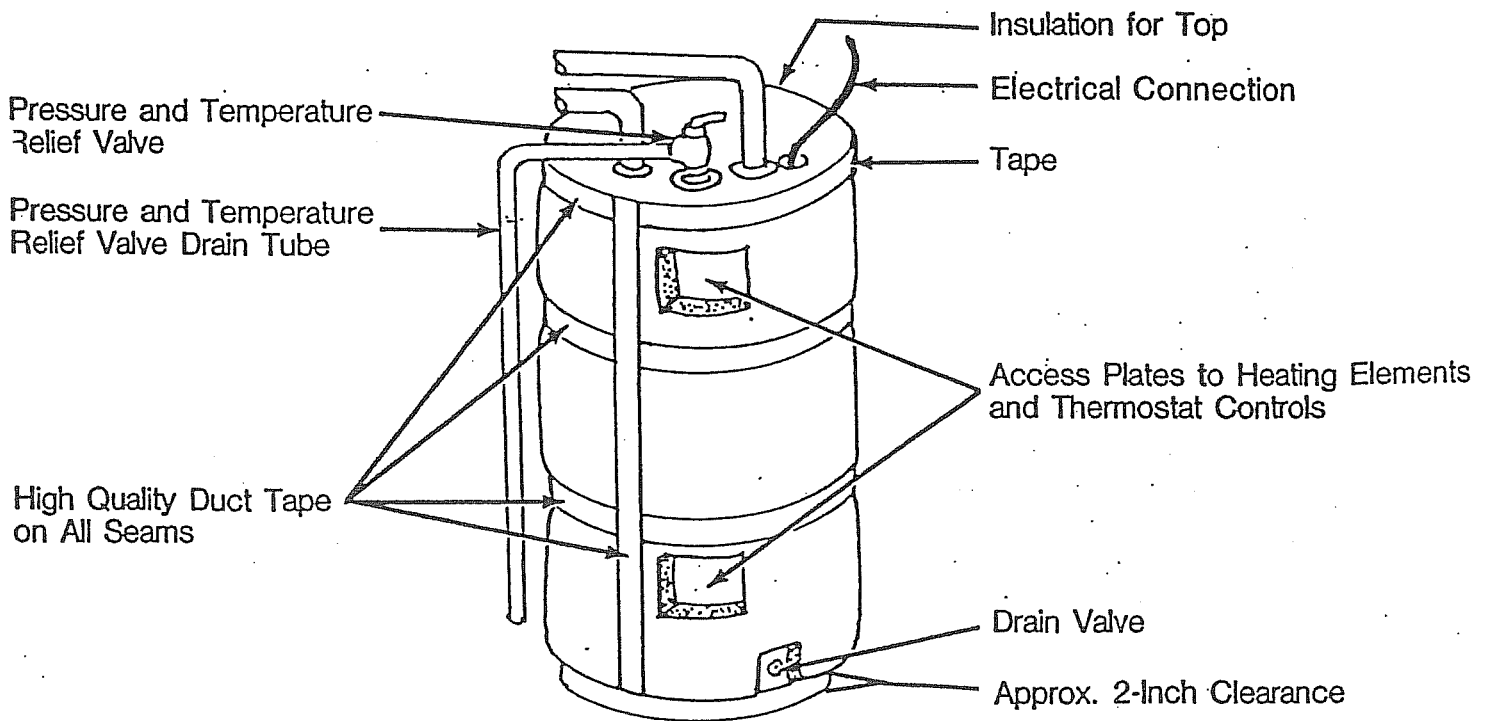
Make sure the job is well done. Leaving the thermostat cover exposed will cost the homeowner \$8.68/year. But don't cover the wiring. Cut a 2-inch diameter hole in the insulation around the connection so it won't be a fire hazard. If you add insulation around the tank, make sure the homeowner doesn't set the tank temperature above 140° F. That too can be hazardous.

Placing an inch of polyurethane under a conventional water heater saved \$5.78/year. But don't bother with this for an energy-efficient tank that already has bottom insulation - savings are negligible.

Type of tank	Incremental Savings (Watts/°F)	Annual Savings (kWh/year)
Standard Tank (R-12 insulation)	0	0
Standard Tank (with R-11 wrap added)	.818	273 - 462
Energy-Efficient Tank (R-20 insulation)	.785	550
Energy-Efficient Tank 9 (with R-11 wrap added)	.274	192

Under the WISE Rebate Program, OMPA supplies (free of charge) water heater wraps rated at R-11 to Member Cities who have passed resolutions to participate in the Rebate Program. these wraps may be installed on any existing residential electric water tank of 40 gallons or greater capacity. Customer should receive an Energy Audit prior to receiving the water tank wrap.

After the water heater wrap has been installed, a Member City representative will inspect the installation and place a sticker on the wrap. A completed WISE Water Heater Wrap form and the accompanying Summary Form should then be submitted to the Energy Services Coordinator at OMPA. This helps track both the demand impact and the wrap inventory. A sample of the paperwork has been included.



W.I.S.E. Water Heater Wrap Form

City: _____

Customer: _____

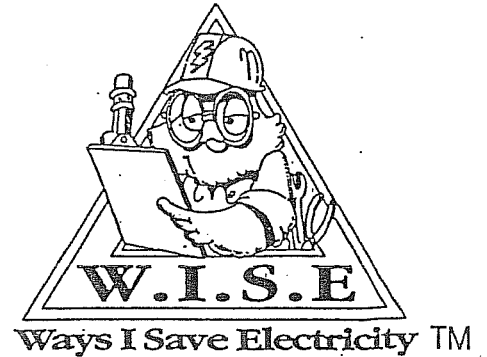
Social Security Number: _____

Address: _____

City/State/Zip: _____

Telephone Number: _____

Account Number: _____



Please Check The Following Steps At Completion:

1. Energy Audit Completed

2. Water Heater Wrap Provided

3. Water Heater Wrap Installed By:

City

Customer

4. Installed Water Heater Wrap
And Inspection Sticker Applied

Please Complete The Following Information On The Existing Water Heater:

Kilowatts (kW): _____

Model: _____

Age: _____

Manufacturer: _____

Existing R-Value
(Prior To Wrap): _____

New R-Value
(Existing + R-11): _____

City Representative

Date

Customer Signature

Date

Please Submit This Form Monthly With The Rebate Request Summary Form